

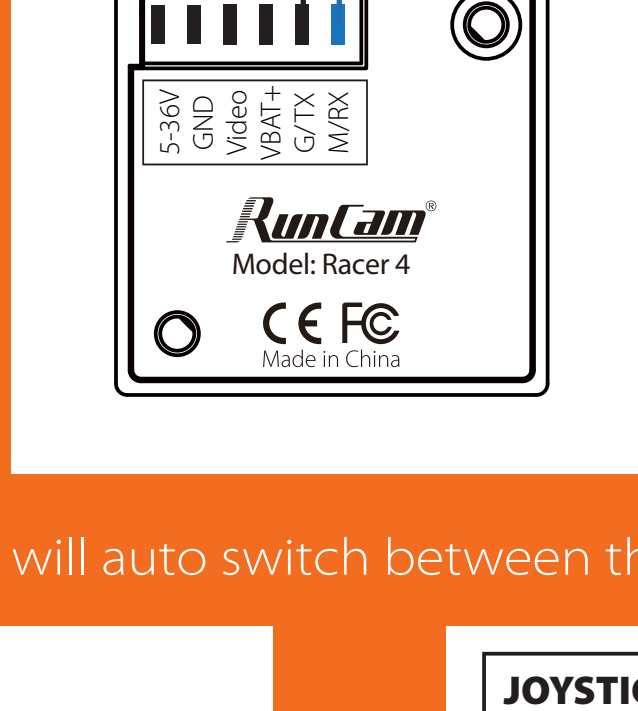
RunCam Racer 4

USER MANUAL

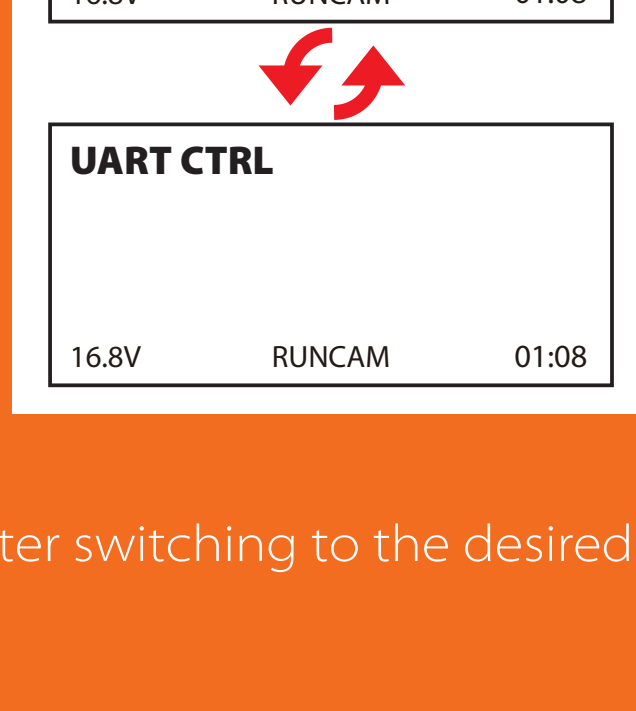
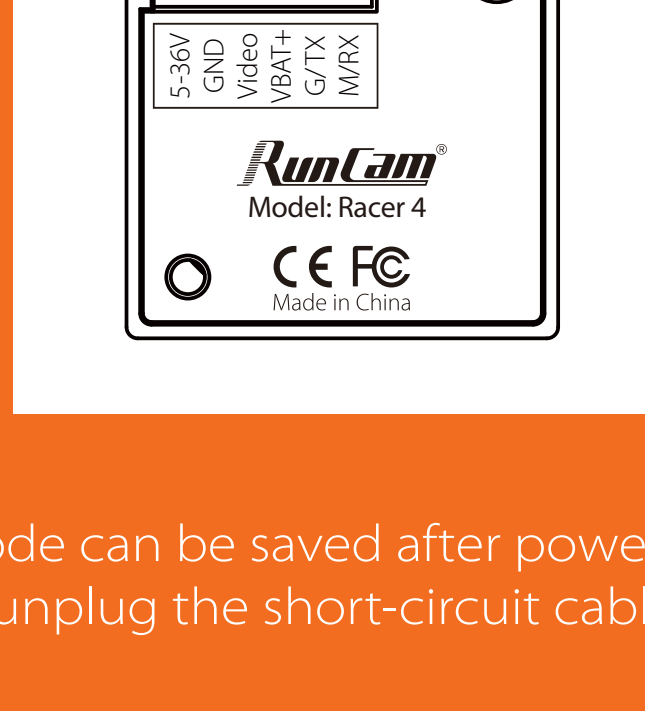
Joystick Control & UART Control Switchable

The top left corner of the screen will shortly display the current control mode. The default is Joystick control mode.

- Short the two camera control pins



- Then power on, camera will auto switch between the two modes

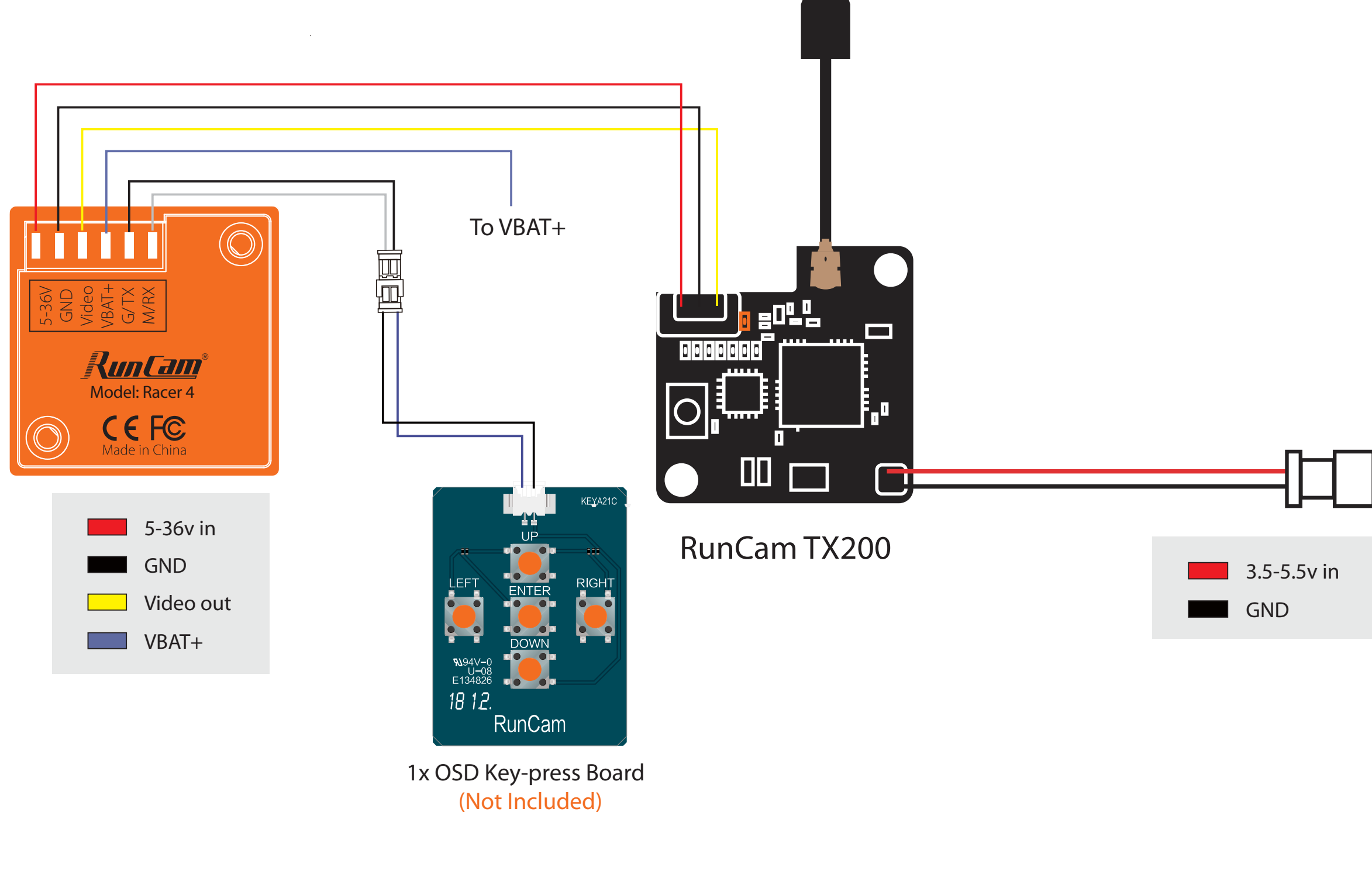


- The mode can be saved after power off. After switching to the desired mode, please unplug the short-circuit cable.

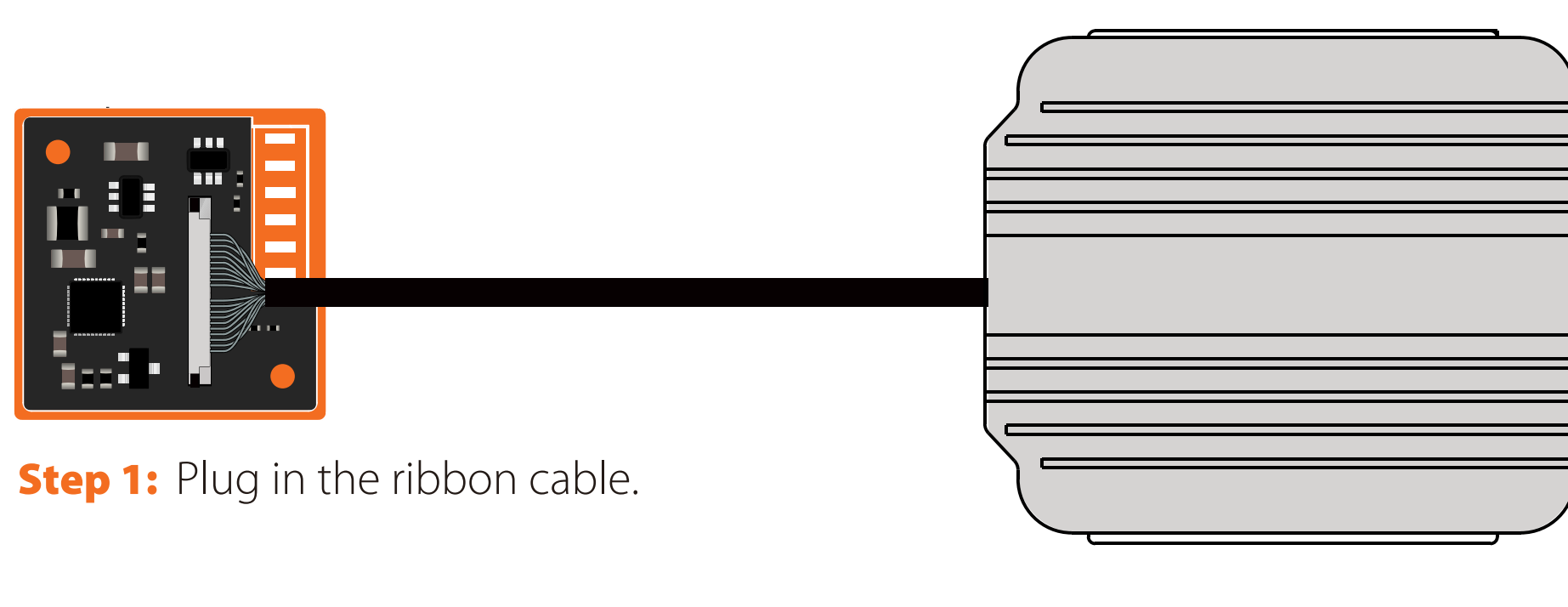
UART Control works with Flight Controllers:

BetaFlight 3.3 or above / ButterFlight 3.4 or above / CleanFlight 2.2 or above / Kiss Flight RC36 or above

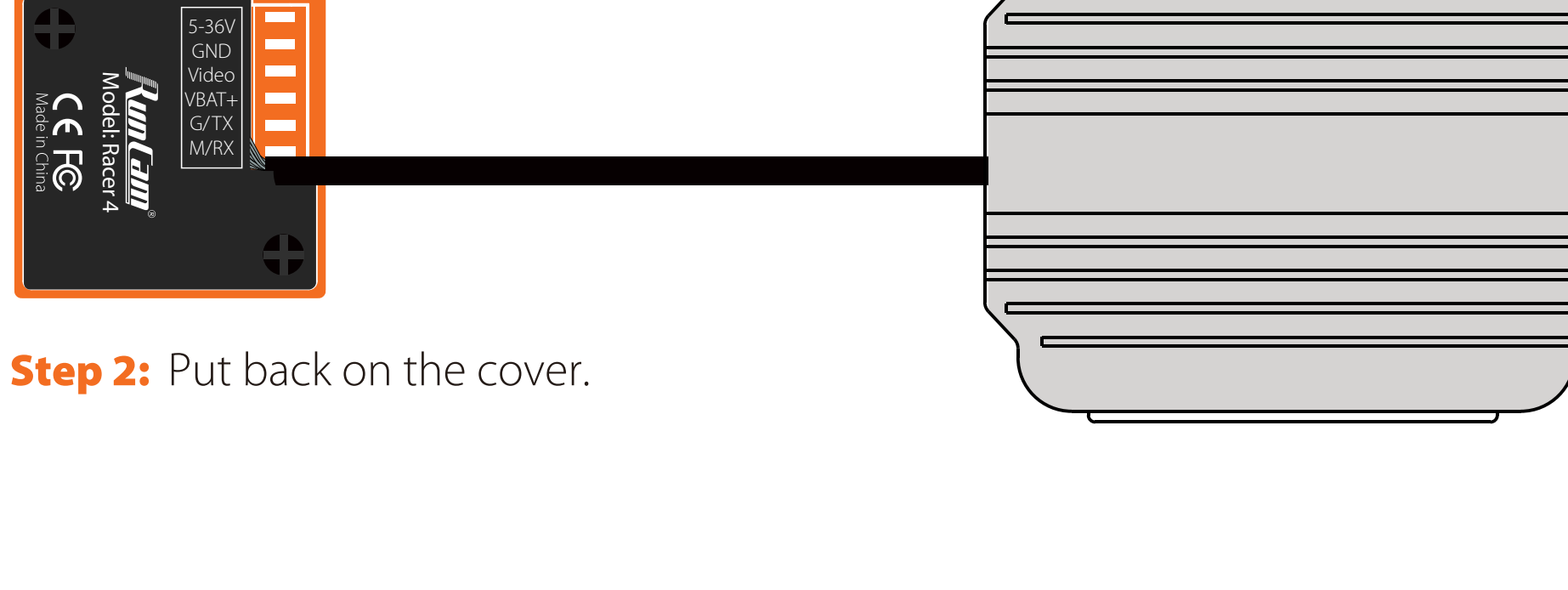
Joystick Control



Compatible with DJI FPV System



Step 1: Plug in the ribbon cable.

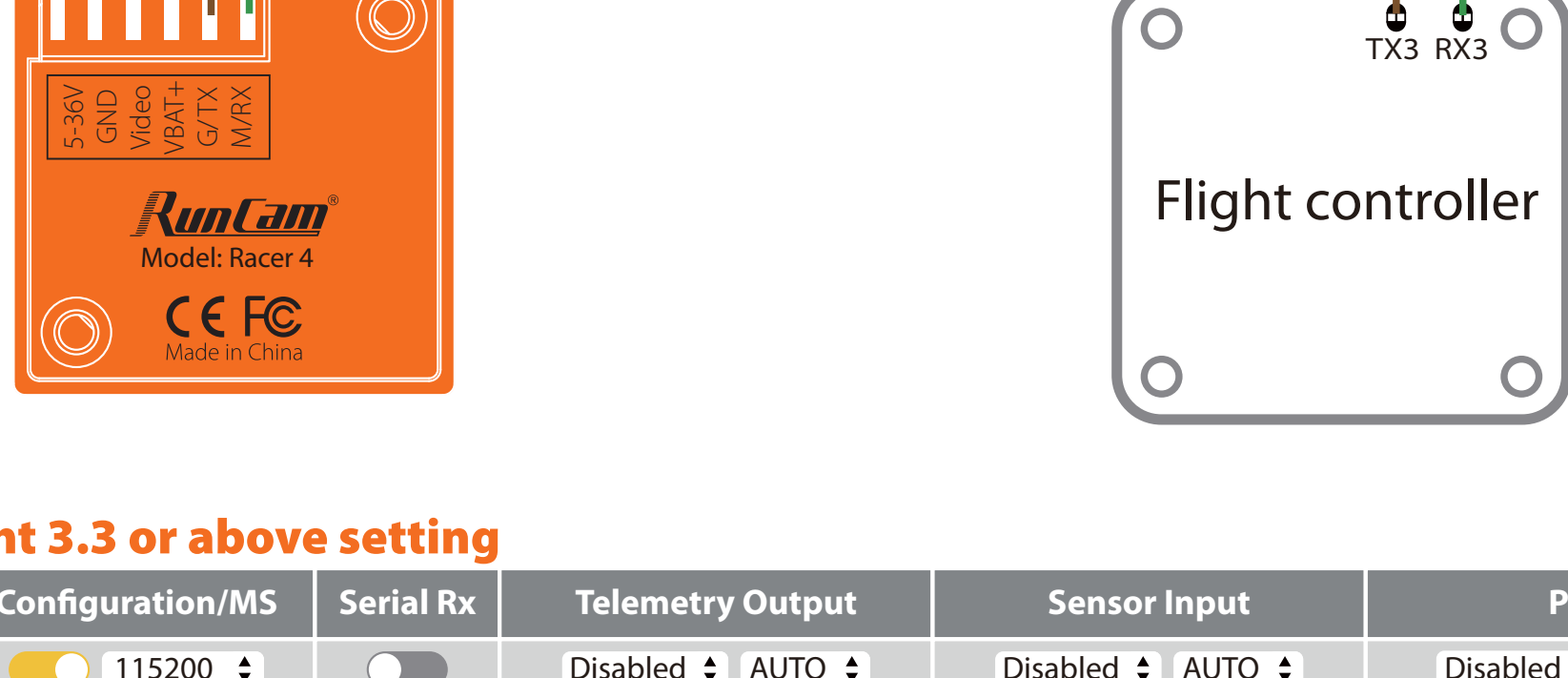


Step 2: Put back on the cover.

UART Control

1. Flight controller wiring

Note: Take UART3 for example

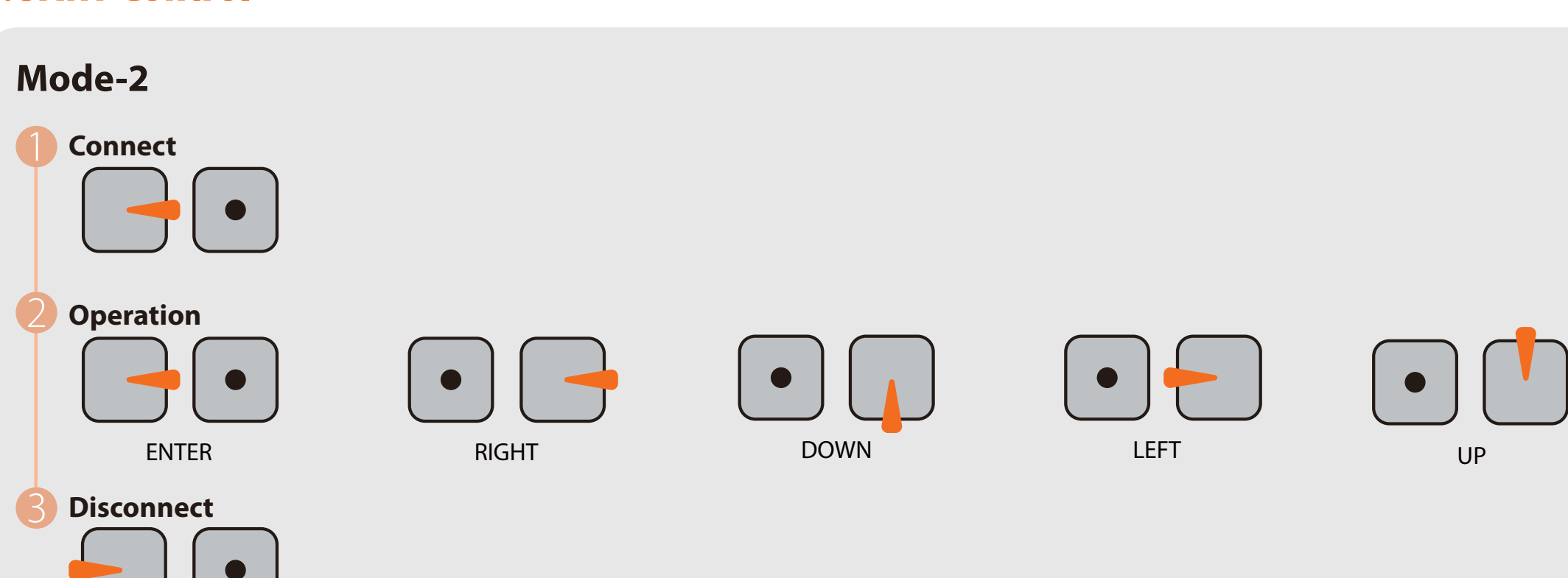


2. Betaflight 3.3 or above setting

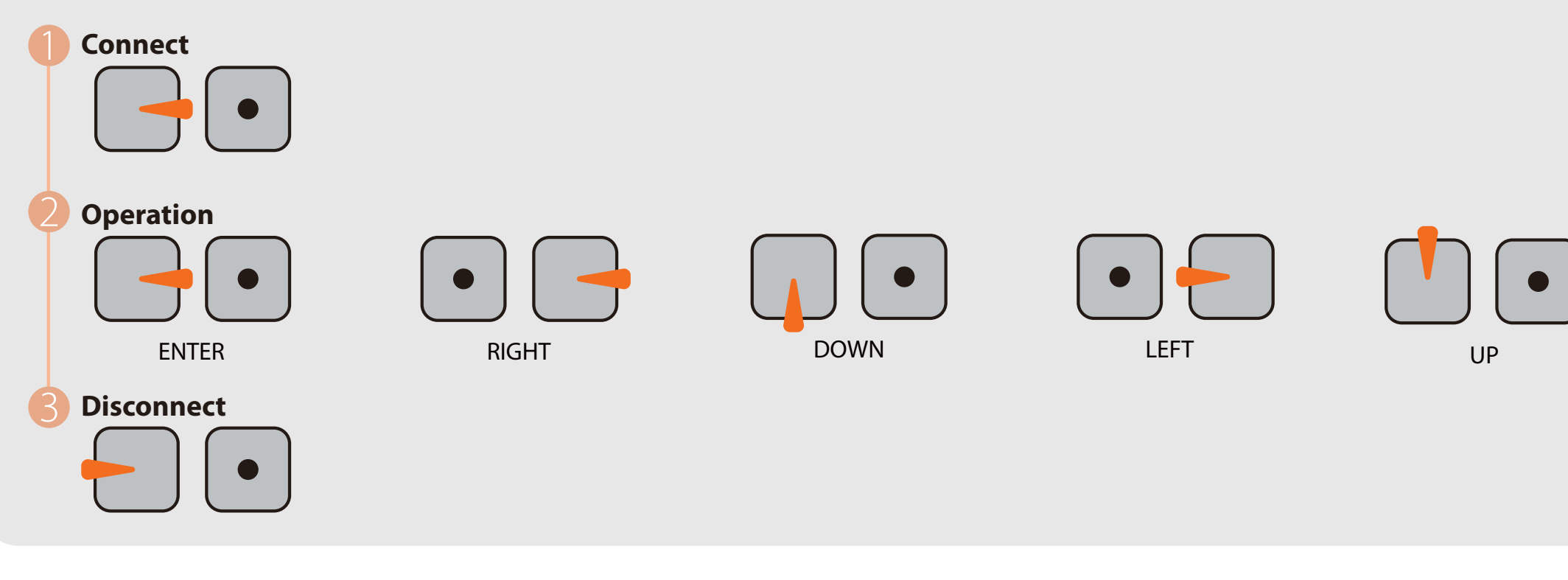
Identifier	Configuration/MS	Serial Rx	Telemetry Output	Sensor Input	Peripherals
USB VCP	115200	Serial Rx	Disabled / AUTO	Disabled / AUTO	Disabled / AUTO
UART1	115200	Serial Rx	Disabled / AUTO	Disabled / AUTO	Disabled / AUTO
UART2	115200	Serial Rx	Disabled / AUTO	Disabled / AUTO	Disabled / AUTO
UART3	115200	Serial Rx	Disabled / AUTO	Disabled / AUTO	RunCam Device / AUTO
UART4	115200	Serial Rx	Disabled / AUTO	Disabled / AUTO	Disabled / AUTO
UART5	115200	Serial Rx	Disabled / AUTO	Disabled / AUTO	Disabled / AUTO

3. UART Control

Mode-2

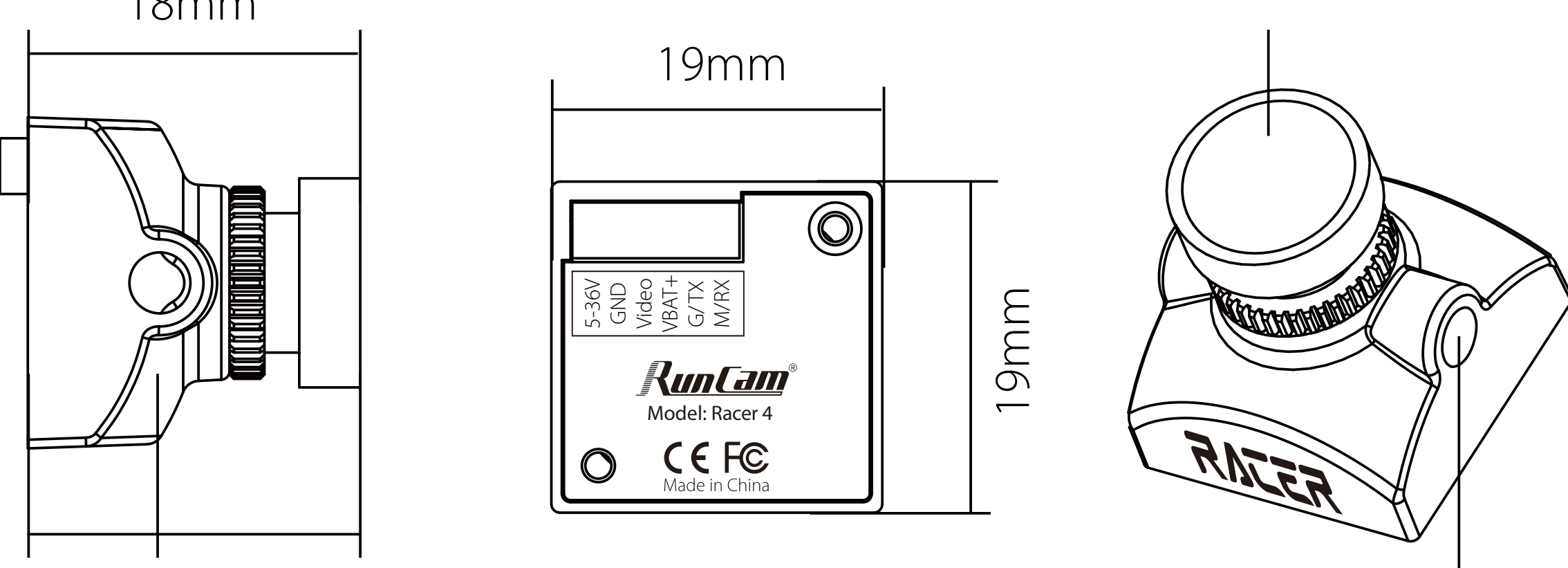


Mode-1



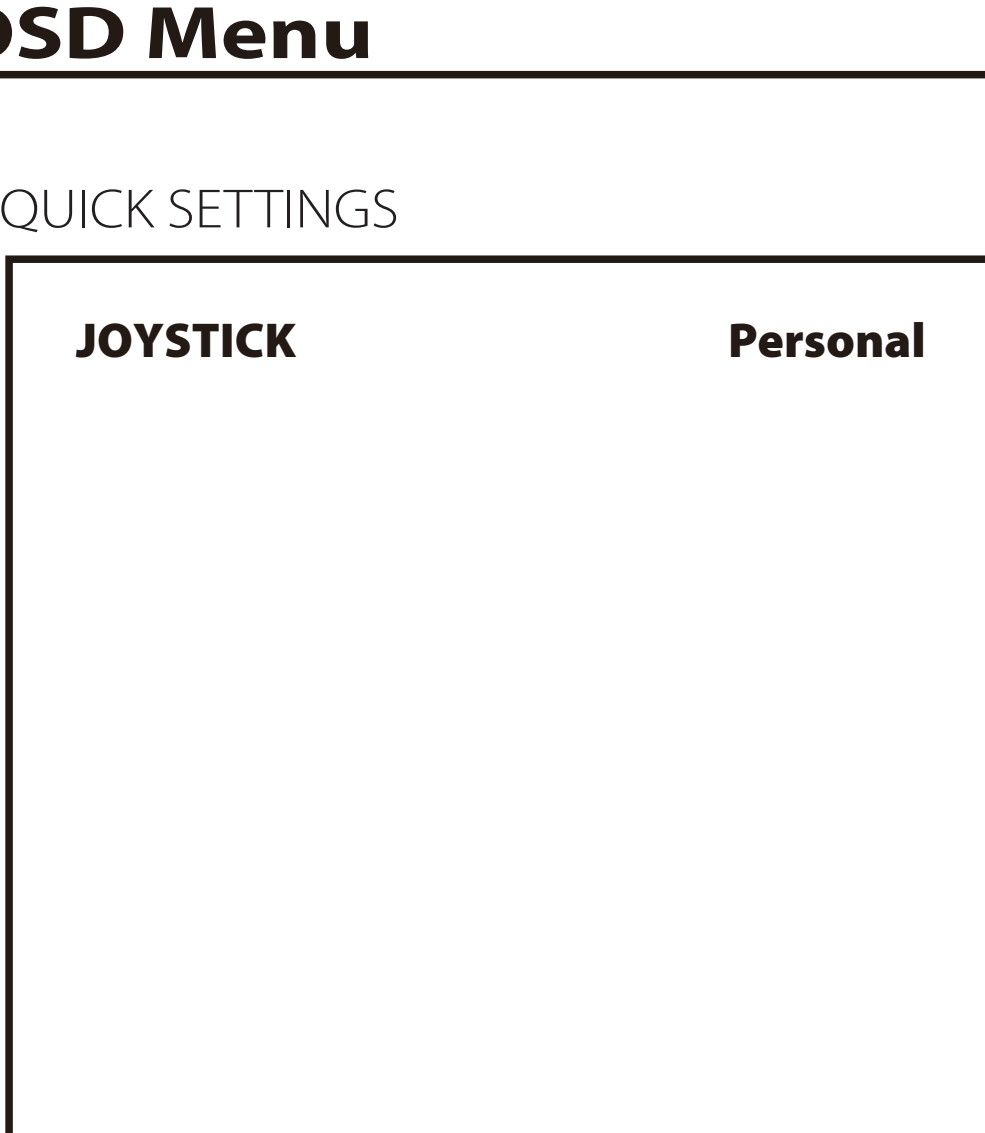
* When connected, The buzzer will be connected, Times only; If on Connected successfully, you can long press the up button to enter the OSD menu, right button to switch preset scenes, left button to calibrate voltage and down button to reset OSD.

Dimensions & Installation



OSD Menu

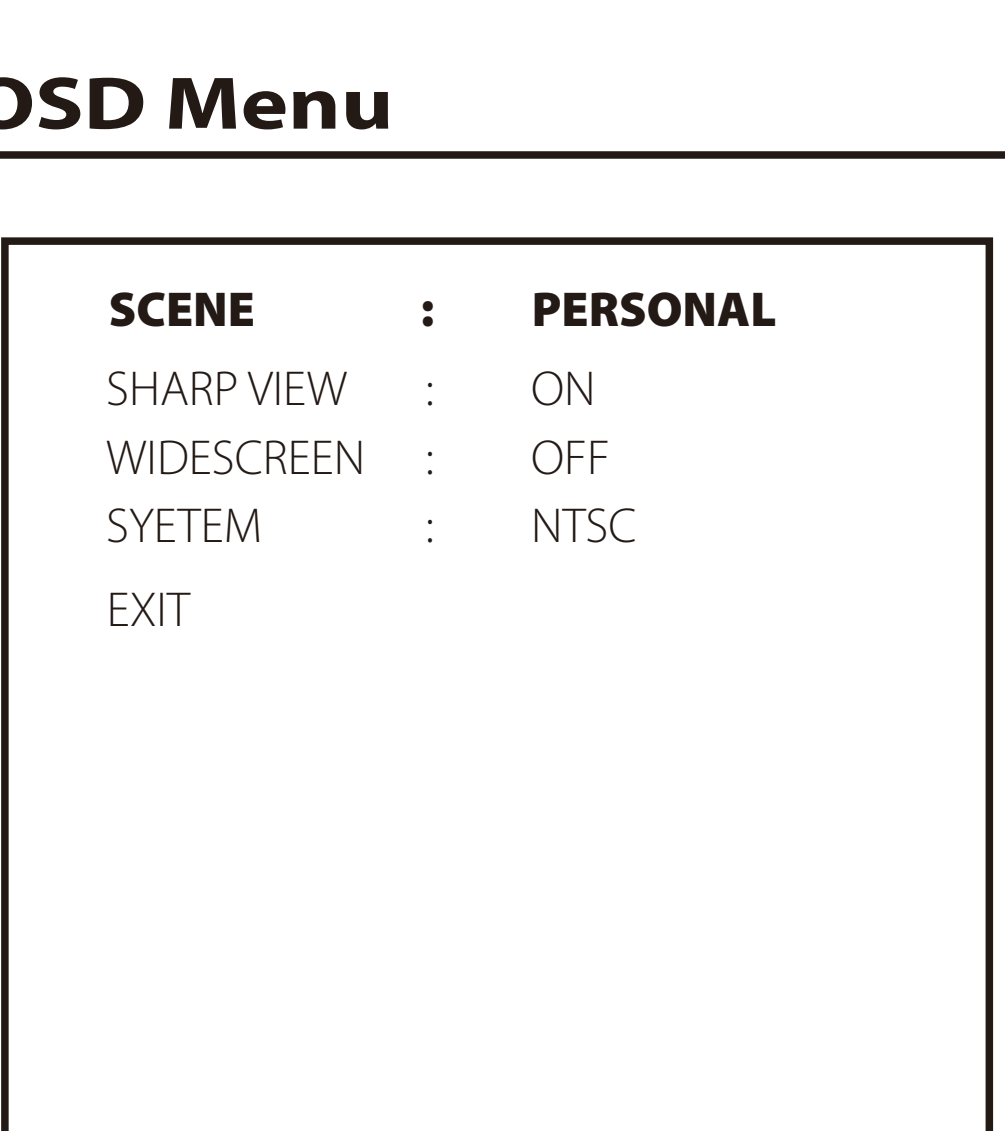
QUICK SETTINGS



Quick settings:

- Long press UP button for three seconds to access to the OSD setting's screen
- Long press DOWN button for six seconds to reset OSD settings to default

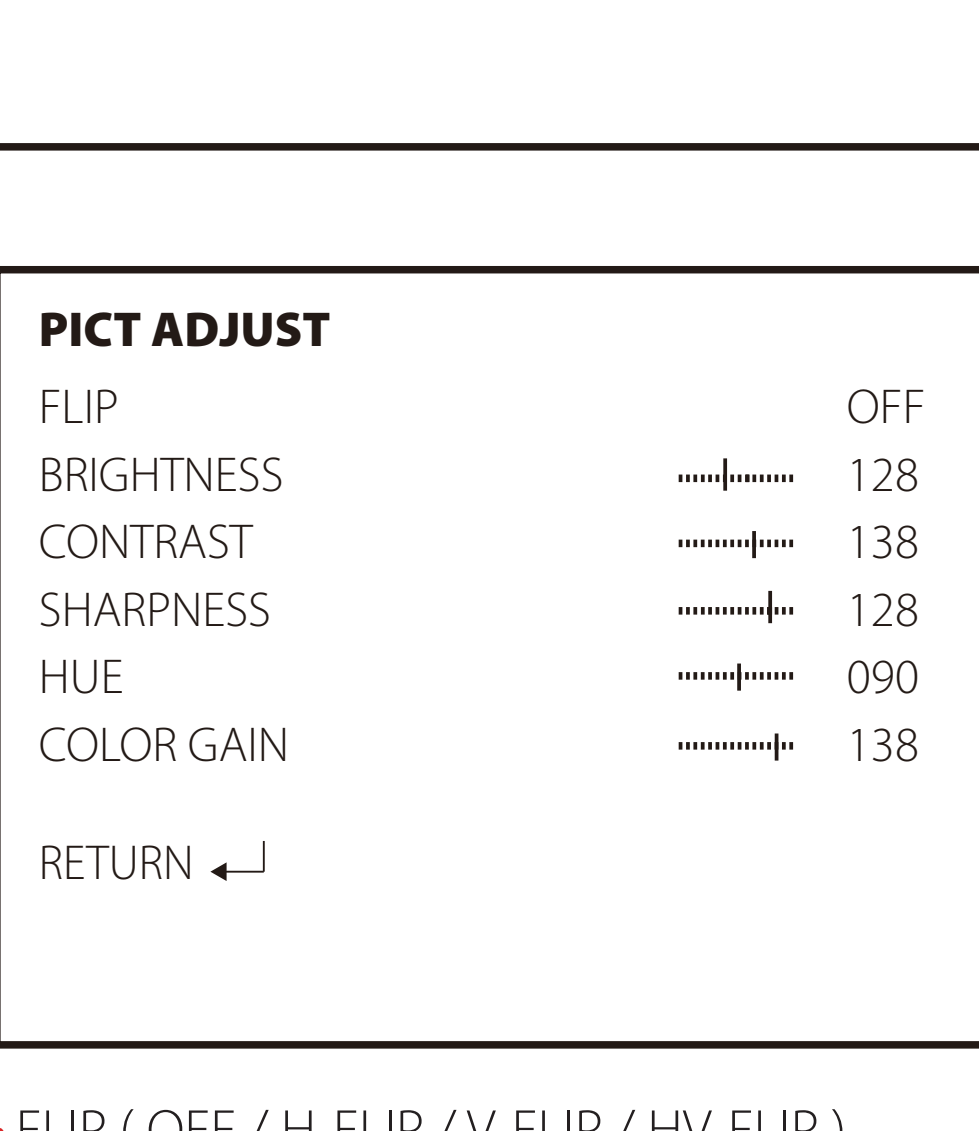
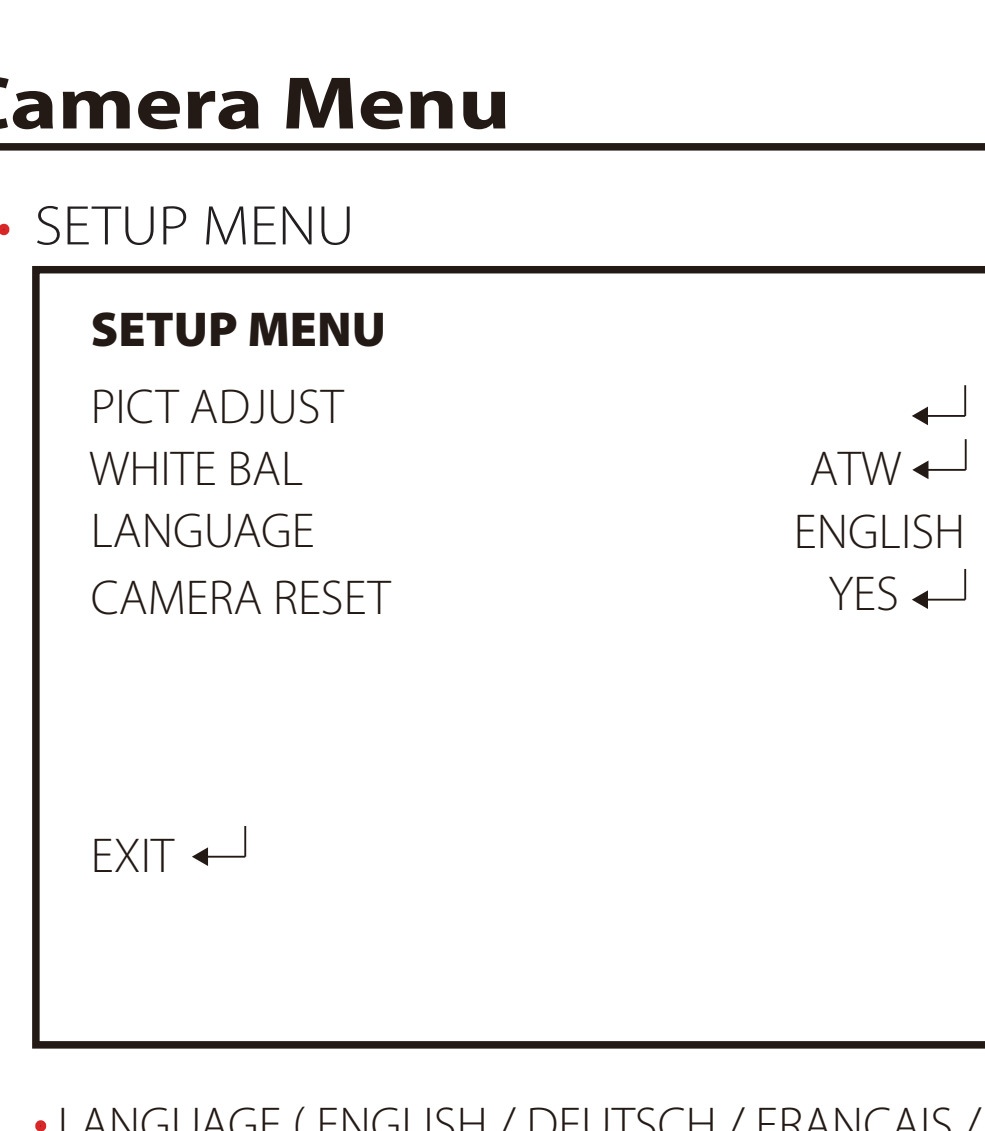
OSD Menu



- CLR: clear the ID character;
- Press the middle button to switch ON / OFF, then move to POS to enter the position adjustment.
- Sharp View: Turn on, it will increase the image details, but also noise.
- WIDESCREEN: Dynamic stretching to aspect ratio of 16:9 to match with screen in 16:9; the image center won't change but the edge will be widened.

Camera Menu

SETUP MENU



- LANGUAGE (ENGLISH / DEUTSCH / FRANCAIS / PYCCKNN / PORTUGUES / ESPANOL / 中文)
- WHITE BAL (ATW / PUSH / USER1 / USER2 / MANUAL / PUSH LOCK)
- FLIP (OFF / H-FLIP / V-FLIP / HV-FLIP)
- BRIGHTNESS (128 / 0-255)
- CONTRAST (138 / 0-255)
- SHARPNESS (128 / 0-255)
- HUE (90 / 0-180)
- COLOR GAIN (138 / 0-255)

Parameters

Model	RunCam Racer 4	
Image Sensor	Super WDR CMOS Sensor	
Resolution	Analog : 1000TVL	Digital : 1280*720@60fps
Shutter	1.8mm FOV160°	
Shutter	Rolling Shutter	
One Touch Scene Setting	Personal / Lightrax	
Menu Control	Cable Control / Remote Control Switchable	
Power	Analog :DC 5-36V	Digital : DC 3.3V
Current	Analog :110mA@5V	Digital : 350mA@3.3V
Housing Material	ABS	
Net Weight	6g	
Dimensions	L19mm*W19mm*H20mm	